

1

2

3

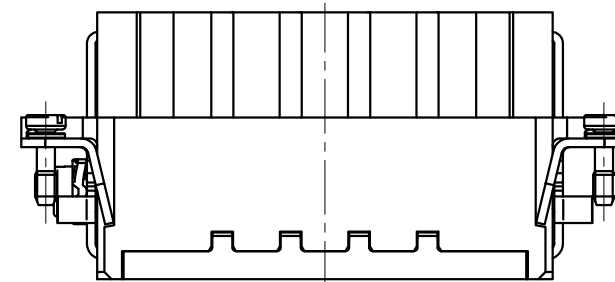
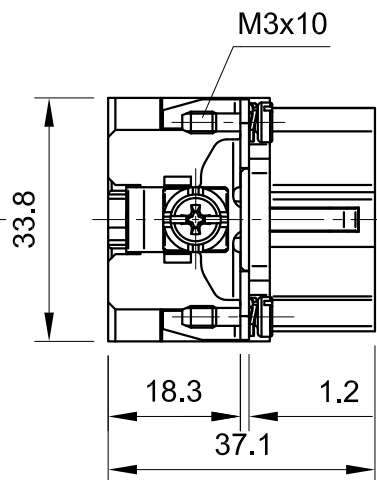
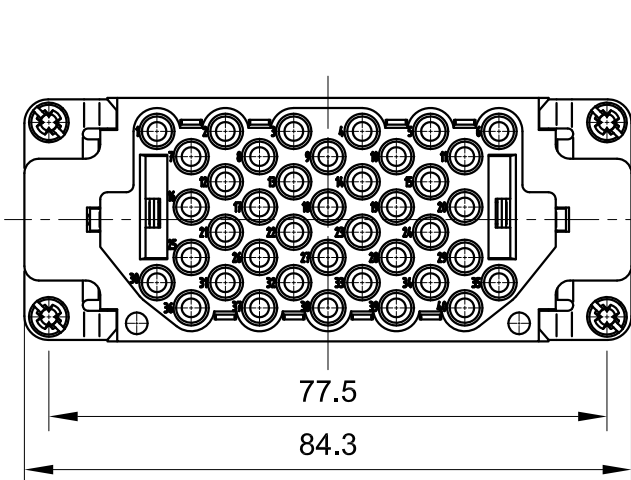
4

5

6

A

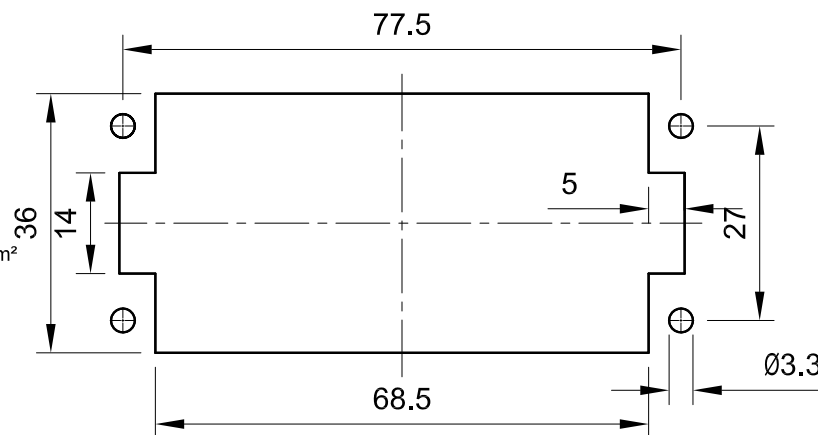
A



B

B

Panel cut out
面板开孔尺寸

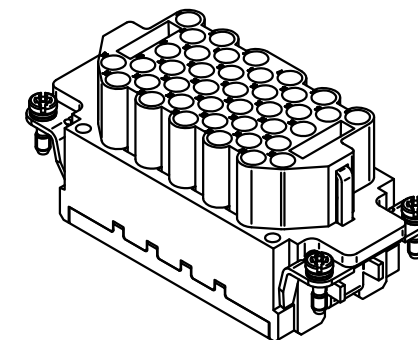


Technical data:

- No. of contact: 40
- Termination method: Crimp termination
- Gender: Female
- Size: B16
- Conductor cross-section: 0.14 ... 4 mm²
- Rated current: 16A
- Rated voltage: 500V
- Rated impulse voltage: 6kV
- Pollution degree: 3
- Rated voltage acc.to UL: 600V
- Insulation resistance: $\geq 10^{10}\Omega$
- Limiting temperature: -40 ... +125°C
- Material(insert): Polycarbonate
- Color(insert): RAL 7032(pebble grey)
- Mating cycles: ≥ 500
- Material flammability class acc. to UL94: V-0
- RoHS: Compliant
- Specifications: IEC61984, EN60664-1

技术数据:

- 针数: 40
- 接线方式: 冷压接针
- 公母类型: 母头
- 尺寸: B16
- 导体截面积: 0.14 ... 4 mm²
- 额定电流: 16A
- 额定电压: 500V
- 额定脉冲电压: 6kV
- 污染等级: 3
- 额定电压符合UL: 600V
- 绝缘阻抗: $\geq 10^{10}\Omega$
- 极限温度: -40 ... +125°C
- 材料(插芯): 聚碳酸酯
- 颜色(插芯): RAL 7032 (卵石灰)
- 插拔次数: ≥ 500
- 材料阻燃性等级符合UL94: V-0
- RoHS: 符合豁免标准
- 规格: IEC61984, EN60664-1





C

C

D

D

 InKonn (Suzhou) Electric Technology Co.,Ltd.	 All Dimensions in mm Original Size DIN A4	Date 2019-12-25	Drawing No. TC5893544	Rev. A00	Scale 1:1
	Part No. 10 32 040 2200 Type Name IEEE-040-CF	Created by Shuxu Huang	Checked by Yiyi Luo	Page 1/1	

1

2

3

4

5

6